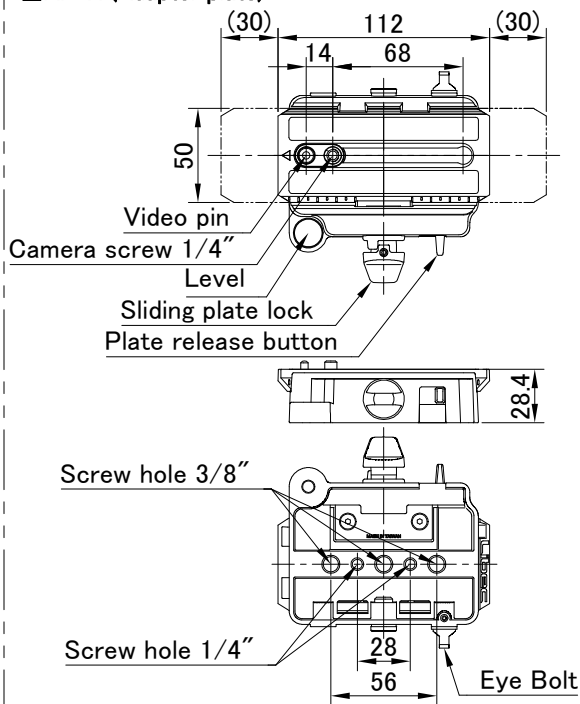


System	LX-ePed PRO column (Electric Pedestal) + T-bar + AP-X (Adapter plate) + DL-8RB (Dolly)		
Payload	30 kg / 66 lb	Head attachment	100 mm bowl
Weight	27.8 kg / 61.3 lb (excluding controller, AC adapter)	Tripod section	2-Stage
	T-bar attachment : 26.8 kg / 59.1 lb , AP-X attachment : 22.9 kg / 50.5 lb	Camera attachment	1/4" and 3/8" screws
Height	① H : 2705 mm / 106.5" (※Reference)	Accessory port	1/4"x1 and 3/8"x2 screw holes x2
	② H : 1215 mm / 47.8" (")	Temperature range	-10°C ~ 40°C / -40°F ~ 104°F , Below RH 90%
Folded length	③ L : $\phi 279$ mm \times 1100 mm / $\phi 11"$ \times 43.3"	Controller cable	LAN Cable : 30 m / 98.4'
Width	W1 : 950 mm / 37.4" , W2 : 932 mm / 36.7"	Power cable	AC / DC Adapter : 3 m / 9.8'
Elevation	400 mm	Power	AC 100 V ~ 240 V
Raising / Lowering speed	Approx. 14 ~ 40 secs. / movement		Battery-powered (optional)
Continuous operating time	3 minutes	Power consumption	120W (DC 15V 8A)

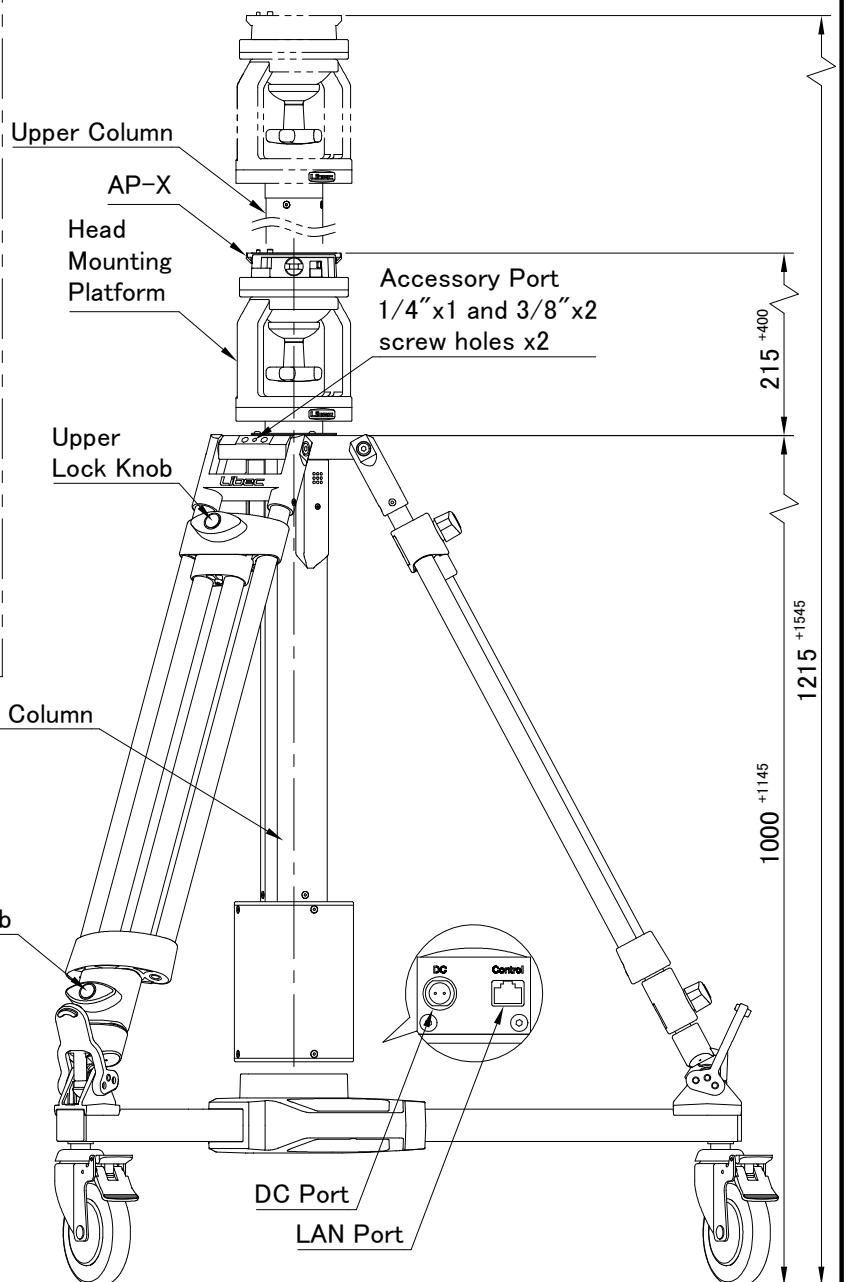
Remarks

Exterior Dimensions (mm)

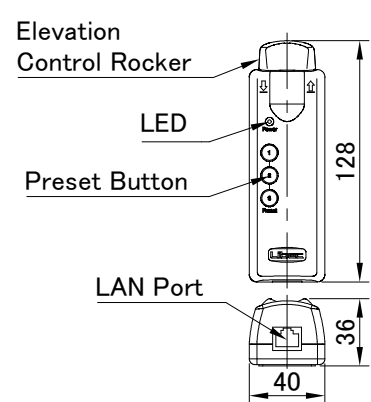
AP-X (Adapter plate)



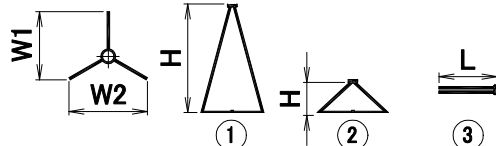
AP-X attachment



Controller

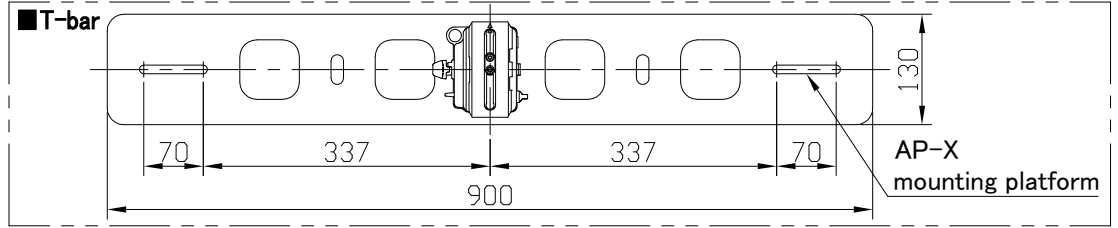


※ Reference



■ Exterior Dimensions (mm)

■ T-bar



■ T-bar attachment

