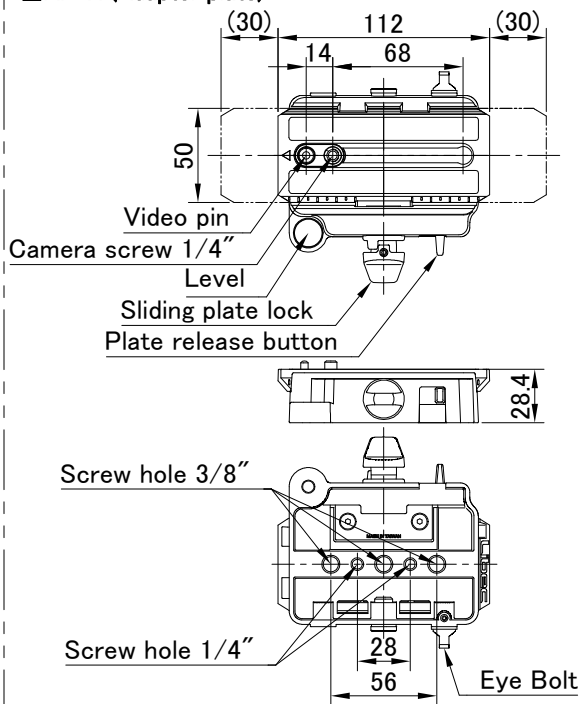


System	LX-ePed 2 column (Electric Pedestal) + AP-X (Adapter plate) + DL-3RB (Dolly)		
Payload	10 kg / 22 lb	Head attachment	100 mm bowl
Weight	14.9 kg / 32.8 lb (excluding controller, AC adapter)	Tripod section	2-Stage
	LX-ePed column : 10.3 kg / 22.7 lb , DL-3RB : 3.9 kg / 8.6 lb	Camera attachment	1/4" and 3/8" screws
Height	① H : 2640 mm / 103.9" (※Reference)	Accessory port	1/4" and 3/8" screw holes x 2
	② H : 1095 mm / 43.1" (")	Temperature range	-10°C ~ 40°C / -40°F ~ 104°F , Below RH 90%
Folded length	③ L : φ241 mm × 1035 mm / φ9.4" × 40.7"	Controller cable	LAN Cable : 30 m / 98.4'
Width	W1 : 782 mm / 30.8" , W2 : 918 mm / 36.1"	Power cable	AC / DC Adapter : 3 m / 9.8'
Elevation	400 mm	Power	AC 100 V ~ 240 V
Raising / Lowering speed	Approx. 14 ~ 40 secs. / movement		Battery-powered (optional)
Continuous operating time	3 minutes	Power consumption	24W (DC 12V 2A)

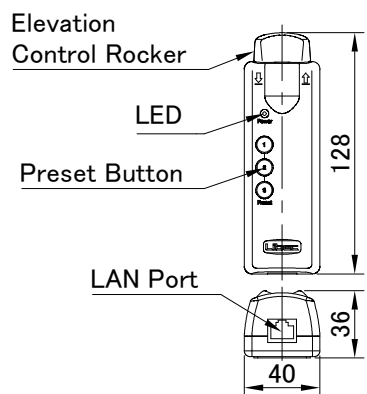
Remarks

■ Exterior Dimensions (mm)

■ AP-X (Adapter plate)



■ Controller



※ Reference

